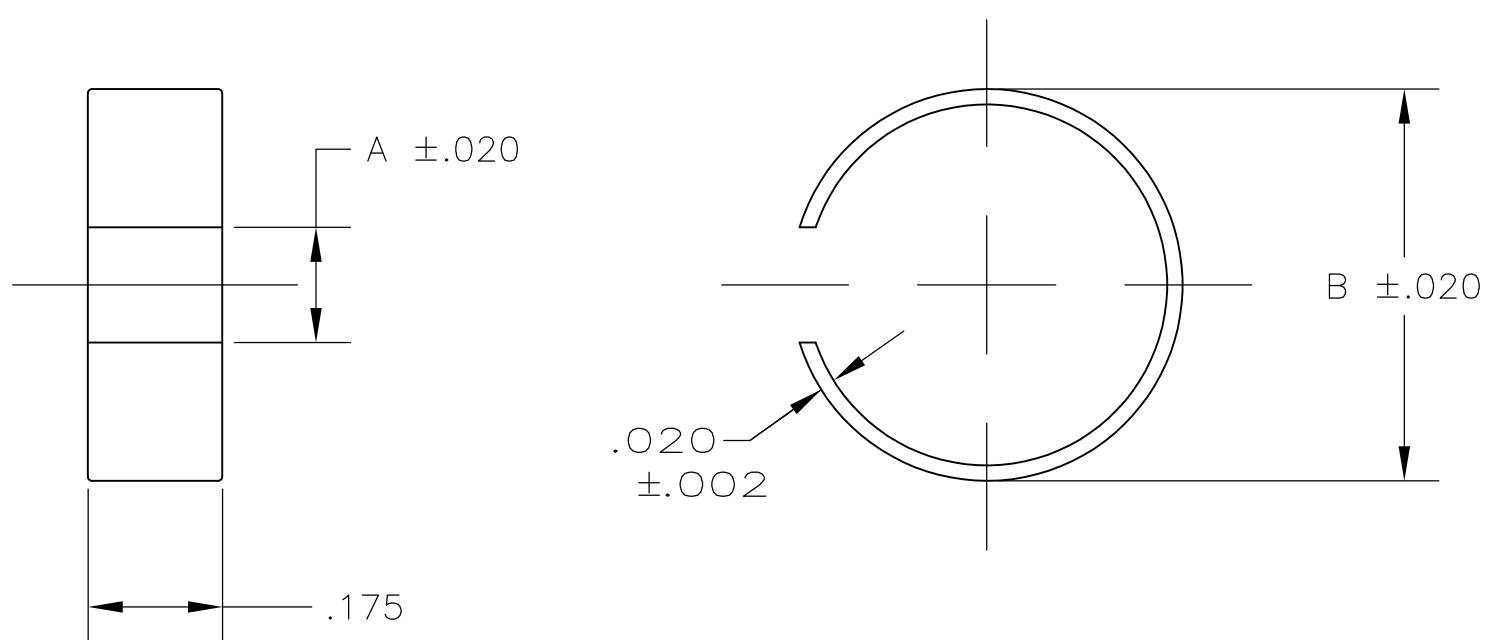



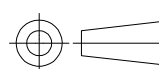
THIS DRAWING IS UNPUBLISHED. RELEASED FOR PUBLICATION  
 © COPYRIGHT - By - ALL RIGHTS RESERVED.

|     |      |           |     |                              |         |     |      |
|-----|------|-----------|-----|------------------------------|---------|-----|------|
| LOC | DIST | REVISIONS |     |                              |         |     |      |
| GP  | 00   | P         | LTR | DESCRIPTION                  | DATE    | DWN | APVD |
|     |      |           |     | C1 REVISED PER ECO-11-005033 | 23MAR11 | RK  | HMR  |

FERRULE SELECTION PROCEDURE:  
 A. SELECT THE DESIRED CABLE CLAMP FROM ANY OF THE FOLLOWING DRAWINGS:  
 5745171, 5745172, 5745173, 5745174, 5745175, 5745854, 5747099,  
 5745833, 5747100, 5747098, 5745919, 5745652, 5745653  
 B. VERIFY THAT THE CHOSEN CABLE CLAMP IS AVAILABLE.  
 C. SELECT A SPLIT RING FERRULE PART NUMBER TO MATCH THE CABLE  
 CLAMP SIZE AND CABLE DIAMETER TO BE USED.  
 D. SEE INNER FERRULES ON DRAWING 745129 FOR ADDITIONAL OPTIONS.



|                                |                        |          |          |                    |
|--------------------------------|------------------------|----------|----------|--------------------|
| 5                              | .710-.750              | 0.790    | 0.220    | 1-745508-2         |
| 4, 5                           | .635-.675              | 0.690    | 0.200    | 1-745508-1         |
| 4, 5                           | .560-.600              | 0.620    | 0.180    | 1-745508-0         |
| 3, 5                           | .490-.530              | 0.550    | 0.180    | 745508-9           |
| 3, 4                           | .460-.500              | 0.510    | 0.150    | 745508-8           |
| 5                              | .410-.450              | 0.470    | 0.150    | 745508-7           |
| 1, 2, 5                        | .335-.375              | 0.390    | 0.130    | 745508-6           |
| 3, 4                           | .310-.350              | 0.370    | 0.120    | 745508-5           |
| 2, 3                           | .260-.300              | 0.310    | 0.100    | 745508-4           |
| 1, 2                           | .185-.225              | 0.260    | 0.080    | 745508-3           |
| 1                              | .160-.200              | 0.220    | 0.060    | 745508-2           |
| 2, 3, 4                        | .390-.430              | 0.450    | 0.150    | 745508-1           |
| <b>FOR CABLE CLAMP SIZE(S)</b> | <b>CABLE DIA RANGE</b> | <b>B</b> | <b>A</b> | <b>PART NUMBER</b> |

|  |          |              |             |              |   |
|--|----------|--------------|-------------|--------------|---|
| THIS DRAWING IS A CONTROLLED DOCUMENT.   |          | DWN          | B. MCMASTER | 12MAR04      |  TE Connectivity |
| DIMENSIONS: INCHES   |          | CHK          | C. ROHDE    | 12MAR04      |   |
|                                     |          | APVD         | M. WALMSLEY | 12MAR04      |   |
| TOLERANCES UNLESS OTHERWISE SPECIFIED:<br>0 PLC ± -<br>1 PLC ± -<br>2 PLC ± -<br>3 PLC ± .010<br>4 PLC ± -<br>ANGLES ± - |          | PRODUCT SPEC | NAME        |              |   |
| MATERIAL   | ALUMINUM | FINISH       | -           |              | FERRULE, CABLE CLAMP, SPLIT RING  |
| CUSTOMER DRAWING   |          | WEIGHT       | -           |              | SIZE  |
|  |          | A300779      |             | C-745508     | CAGE CODE   |
|  |          | SCALE 4:1    |             | SHEET 1 OF 1 | RESTRICTED TO   |
|  |          |              |             | REV C1       |   |